

# ELKAY® Refrigeration Package

## INSTALLATION, CARE & USE MANUAL

### INSTALLATION

- 1. Insure proper ventilation.** In fully recessed drinking fountains be sure condenser faces louver panel and is within 1/2" (13 mm) of louver panel when panel is in place.
- 2. Water inlet is 3/8" (10 mm) O.D. unplated tube connector.** Contractor to supply connections as required.
- 3. Connecting lines to be made of unplated copper.** Thoroughly flush all lines to remove all foreign matter before connecting to cooler.
- 4. Connect cooler to building supply** with a shut-off valve and install a 3/8" (10 mm) water line between the valve and cooler. Remove burrs from outside of water line. Insert water line into bulkhead union until it reaches a positive stop, approximately 3/4" (19 mm).

**Electrical: Make sure power supply is identical** in voltage, cycle, and phase to that specified on cooler serial plate. Never wire the compressor directly to the power supply.

### IMPORTANT! INSTALLER PLEASE NOTE:

The grounding of electrical equipment such as telephone, computers, etc., to water lines is a common procedure. This grounding may be in the building, or may occur away from the building. This grounding can cause electrical feedback into a water chiller, creating an electrolysis which causes a metallic taste or an increase in the metal content of the water. This condition is avoidable by using the proper materials indicated below. Drain fittings which are provided by the installer should be plastic to electrically isolate the chiller from the building plumbing system.

### START-UP

- 1. Open supply line valve.**
- 2. Purge all air from all water lines** by operating bubbler valve of fountain to which cooler is connected. A steady stream flow assures that all air is removed.
- 3. Rotate fan blade** to assure proper clearance and free action.
- 4. Connect to proper electrical power.**

### TROUBLE SHOOTING & MAINTENANCE

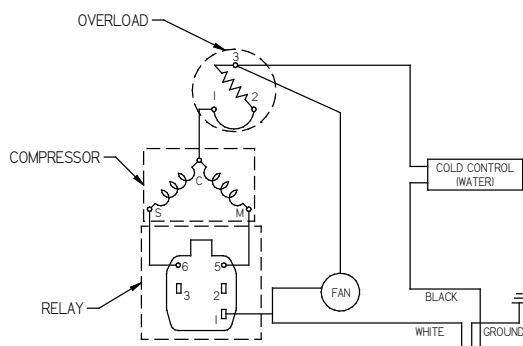
**Temperature Control:** Factory-set for 50°F water ( $\pm 5^\circ$ ) under normal conditions. For colder water, adjust screw on item no. 5.

**Ventilation:** Cabinet louvers and condenser fins should be periodically cleaned with a brush, air hose, or vacuum cleaner. Excess dirt or poor ventilation can cause no cold water and compressor cycling on the overload protector.

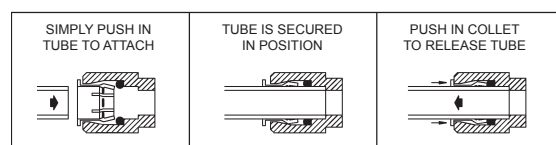
**Lubrication:** Motors are lifetime lubricated.

**Actuation of Quick Connect Water Fittings:** Cooler is provided with lead-free connectors which utilize an o-ring seal. To remove tubing from the fittings, relieve water pressure, push in on gray collar while pulling on the tubing. To insert tubing, push tube straight into fitting until it reaches a positive stop, approximately 3/4".

#### WIRING DIAGRAM



#### OPERATION OF QUICK CONNECT FITTINGS

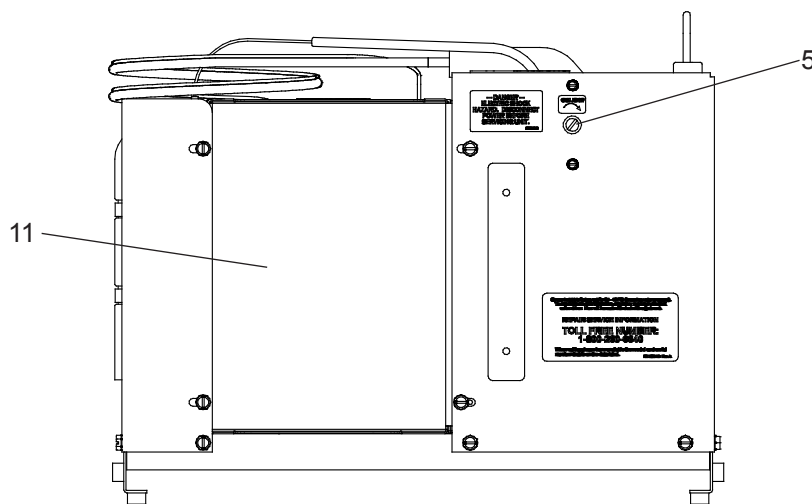
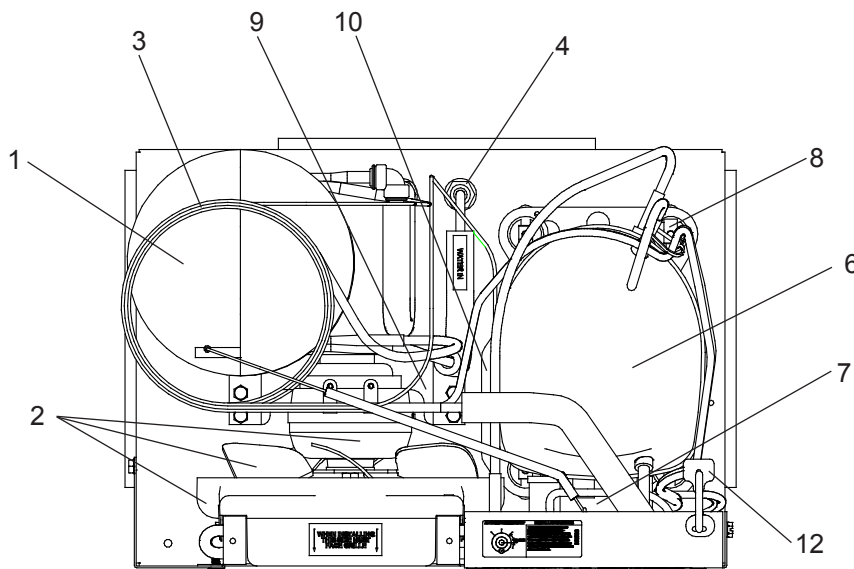


PUSHING TUBE IN BEFORE PULLING IT OUT HELPS TO RELEASE TUBE

PARTS LIST		
ITEM NO.	PART NO.	DESCRIPTION
1	98724C	KIT - EVAPORATOR REPLACE ASSY
2	98775C	KIT - FAN MTR/BLADE/NUT
3	98778C	KIT - HEATX/DRIER
4	70841C	UNION - BULKHEAD
5	98773C	KIT - COLD CONTROL/SCREWS
*6	36322C	COMPRESSOR SERV. PAK
7	0000000238	KIT- ELECT/RELAY/COVER/OL
8	98777C	KIT- COMPRESSOR MTG HDWE
9	20282C	BRACKET - FAN MTG
10	66703C	DRIER
11	98776C	KIT - CONDENSER/DRIER
12	36208C	POWER CORD

220V 50/60HZ PARTS LIST		
ITEM NO.	PART NO.	DESCRIPTION
2	0000000244	KIT - FAN MTR/BLADE/NUT/SHROUD (50 HZ)
	0000000245	KIT - FAN MTR/BLADE/NUT/W/O SHRD (60 HZ)
*6	1000002147	COMP SERV. PAK (50 HZ)
	1000002146	COMP. SERV. PAK (60 HZ)
7	98751C	KIT-ELECT/RELAY/CVR/OL(50 HZ)
	98752C	KIT-ELECT/RELAY/CVR/OL(60 HZ)
12	31506C	POWER CORD (50/60 HZ)

**\*INCLUDES RELAY & OVERLOAD. IF UNDER WARRANTY REPLACE WITH SAME COMPRESSOR USED IN ORIGINAL ASSEMBLY.**  
**NOTE:** ALL CORRESPONDENCE PERTAINING TO ANY OF THE ABOVE WATER COOLERS OR ORDERS FOR REPAIR PARTS **MUST** INCLUDE MODEL NO. AND SERIAL NO. OF COOLER, NAME AND PART NO. OF REPLACEMENT PART.



REPAIR SERVICE INFORMATION TOLL FREE NUMBER 1.800.260.6640  
 FOR PARTS, CONTACT YOUR LOCAL DISTRIBUTOR OR CALL 1.800.834.4816  
**ELKAY MANUFACTURING COMPANY•2222 CAMDEN COURT•OAK BROOK, IL 60523•630.574.8484**