

ELKAY®

SPECIFICATIONS

EZH20® Bottle Filling Station In-Wall Recessed Models EZWS8K, EZWSM8(2-3)K and EZWSMD(JO)K

RATED FOR INDOOR USE ONLY

PRODUCT SPECIFICATION

In-wall recessed bottle filling station. Models EZWS(M)8(2-3)K shall deliver 8 GPH of 50°F drinking water at 90°F ambient and 80°F inlet water. Models EZWSMD(JO)K shall deliver non-chilled drinking water. Units shall be stainless steel construction with plastic ABS alcove. Sensor-activation with an auto 20-second shut-off timer. Shall include Green Ticker™ displaying count of plastic bottles saved from waste. Bottle filler shall provide 1.1-1.5 gpm flow rate with laminar flow to minimize splashing. Shall include integrated silver ion anti-microbial protection in key areas. Unit shall meet ADA guidelines. Unit shall be lead-free design which is certified to NSF/ANSI 61 and 372 and meets Federal and State low-lead requirements. Unit shall be certified to UL399 and CAN/CSA 22.2 No. 120.

STANDARD FEATURES

- Sanitary, touchless activation with auto 20-second shut-off (Bottle Filler)
- Integrated Silver Ion Anti-Microbial Protection in key areas
- Quick Fill Rate: 1.1 gpm (EZWS(M)8(2-3)K); 1.5 gpm (EZWSMD(JO)K)
- Laminar Flow provides minimal splash
- Real Drain System eliminates standing water
- Visual User Interface display includes:
 - Innovative Green Ticker™ counts bottles saved from waste
- Includes lower hinged panel for easy access and servicing

COOLING SYSTEM (Models EZWS(M)8(2-3)K)

- Compressor: hermetically-sealed, reciprocating type, single phase. Sealed-in lifetime lubrication.
- Condenser: Fan cooled. Fan motor is permanently lubricated.
- Cooling Unit: Combination tube-tank type. Continuous copper tubing with stainless steel tank. Fully insulated with EPS foam which meets UL requirements for self-extinguishing material.
- Refrigerant Control: Refrigerant R134a is controlled by accurately calibrated capillary tube.
- Temperature Control: Enclosed adjustable thermostat is factory preset. Requires no adjustment other than for altitude requirements, Easily accessible by removing lower grille panel.

Warranty: 5 year limited warranty on the unit's refrigeration system. Electrical components and water system are warranted for 12 months from date of installation or 18 months from factory shipment, whichever date falls first.

- Models EZWSM8K, EZWSM82K, EZWSM83K, EZWSMDK, EZWSMDJOK** – Mounting frame MFWS100 is included.
- Model EZWS8K** – Used when mounting frame is pre-ordered for early installation







Models
EZWS8K
EZWSM8K
EZWSM82K
EZWSM83K



Models
EZWSMDK
EZWSMDJOK

CONSTRUCTION

- Stainless steel bottle filler construction with ABS plastic alcove
- Includes stainless steel lower panel. EZWS(M)8K models have louvered ventilating grille; EZWSMD(JO)K models have solid panel.
- Models EZWSM8K, EZWSM82K, EZWSM83K, EZWSMDK, EZWSMDJOK include MFWS100 wall mounting frame constructed of galvanized steel.
- Model EZWS8K, mounting frame MFWS100 can be ordered separately for pre-install.

CAPACITIES CHART									
Model	Voltage / Hertz	Chilling** Capacity	F.L. Amps	Rated Watts	Approx. Ship Wt.	ADA Compliant	UL399 and CAN/CSA 22.2 No. 120 Certified	NSF/ANSI 61 and 372 Certified	GreenSpec® Listed
EZWS(M)8K	115V / 60Hz	8.0 GPH	5.0	370	77 lbs.	•	•	•	•
EZWSM82K	220V / 50Hz	6.7 GPH	2.0	370	77 lbs.	•	•	•	•
EZWSM83K	220V / 60Hz	8.0 GPH	2.2	370	77 lbs.	•	•	•	•
EZWSMDK	115V / 60Hz	-	1.0	15	30 lbs.	•	•	•	•
EZWSMDJOK	220V / 50-60Hz	-	1.0	15	30 lbs.	•	•	•	•

**Based on 80°F inlet water & 90°F ambient air temp for 50°F chilled drinking water.

This specification describes an Elkay product with design, quality and functional benefits to the user. When making a comparison of other producer's offerings, be certain these features are not overlooked.

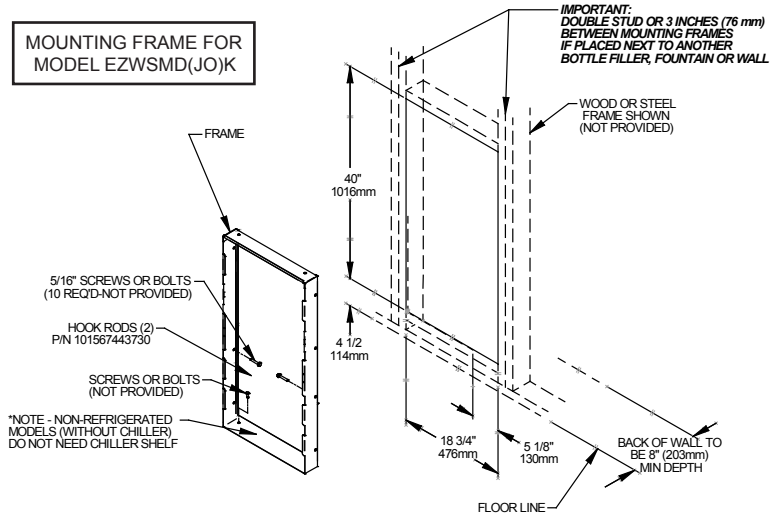
EZH20® Bottle Filling Station In-Wall Recessed
Models EZWS8K, EZWSM8(2-3)K and
EZWSMD(JO)K

ELKAY®
ROUGH-IN DIMENSIONS

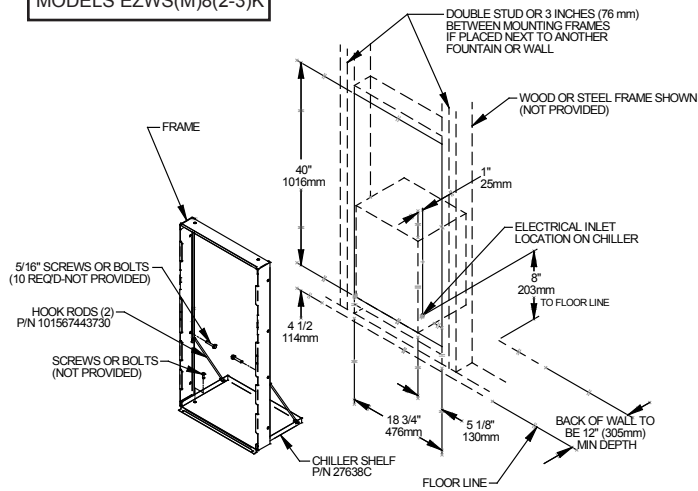
RATED FOR INDOOR USE ONLY

Job Name: _____
 Model: _____ Qty. _____
 Contact: _____
 Approval Signature: _____
 Notes: _____

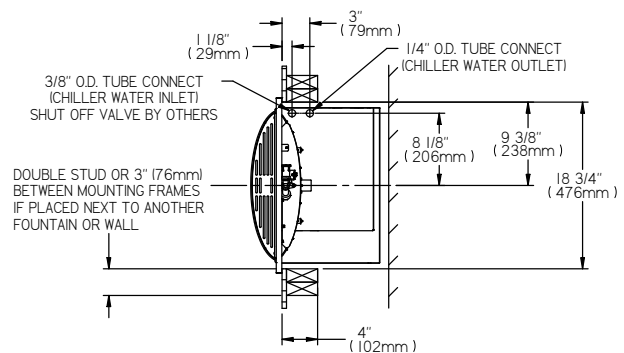
MOUNTING FRAME FOR MODEL EZWSMD(JO)K



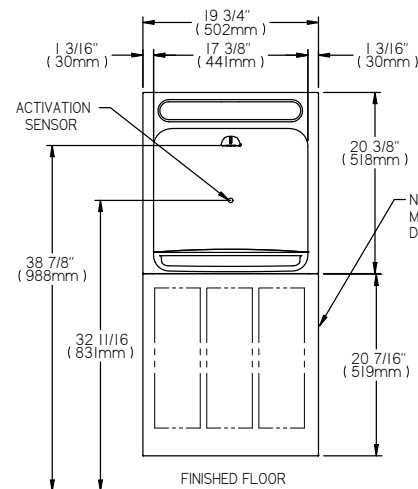
MOUNTING FRAME FOR MODELS EZWS(M)8(2-3)K



TOP & SIDE VIEWS



FRONT VIEW



WALL LAYOUT

