

# ELKAY<sup>®</sup>

## SPECIFICATIONS

### MODEL LK4420BF1UFRK and MODEL LK4420BF1LFRK

#### GENERAL

Steel Outdoor Freeze-Resistant Dual Station Fountain with Bottle Filling Station with rounded corner design, heavy-duty steel with textured powder-coat finish and E-Coat immersion for year-round beauty with minimum maintenance. The E-Coat immersion process coats the inside and outside for the ultimate in corrosion protection.

#### BOTTLE FILLER

Provides a quick fill at 1 gallon per minute. Laminar flow provides a clean fill with minimal splash and easy maintenance.

#### BUBBLER

Vandal-resistant bubbler is one-piece, heavy-duty construction. Unit has integral hood guard design to prevent contamination from other users, airborne deposits and tampering.

#### FREEZE-RESISTANT VALVE SYSTEM

Designed for ground installation 21" minimum below the frost line. 60" of access tubing provided with the freeze-resistant valve system. The length of tubing can be adjusted in the field for lesser frost depths.

#### BASIN

Contour-formed stainless steel design with rounded edges reduces splatter, ensures proper drainage and prevents standing water.

#### PUSHBUTTON ACTUATION MECHANISM

Self-closing, vandal-resistant pushbutton does not require grasping or twisting.

#### WATER INLET & DRAIN OUTLET

Inlet: 1/4" O.D. Tubing



Outlet: 1-1/2" tube outlet for 1-1/2" slip joint connection

#### ACCESS PANELS

Heavy-gauge steel with vandal-resistant screws. Provides access for easy hook-up of all plumbing connections.

#### SUGGESTED SPECIFICATIONS

Unit shall include powder-coated finish with vandal-resistant pushbutton actuation, vandal-resistant bubbler with integral hood guard, and contour-formed rounded basin to reduce splash and prevent standing water. Bottle Filler shall include a laminar flow for minimal splash and provide 1 gallon per minute fill rate. Fountain shall comply with ANSI 117:1 and ADA for visual and motion disabilities. The manufacturer shall certify the unit to meet the requirements of NSF/ANSI 61, and the Safe Drinking Water Act.

Model	Bottle Filler Placement	Color Option		
			ADA Compliant	NSF/ANSI 61 Certified
LK4420BF1UFRK*	Upper	(Refer to Finish Color Options)	•	•
LK4420BF1LFRK*	Lower	(Refer to Finish Color Options)	•	•

\* Select color option to complete model number. Example: LK4420BF1UFRKEVG

*This specification describes an Elkay product with design, quality and functional benefits to the user. When making a comparison of other producer's offerings, be certain these features are not overlooked.*

In keeping with our policy of continuing product improvement, Elkay reserves the right to change specification without notice. Please visit [elkay.com](http://elkay.com) for the most current version.

2222 Camden Court  
Oak Brook, IL 60523  
630-572-3192  
elkay.com

## Outdoor Tubular Bottle Filling Station

### Freeze Resistant Dual Station



Now Available  
in 12 Colors!



#### FINISH COLOR OPTIONS – Choose color option to complete your model number, add as suffix example: LK4420BF1UFRKEVG

Matte finish:  Evergreen = EVG

Gloss finish:

- |                                      |                                       |   |
|--------------------------------------|---------------------------------------|---|
| <input type="checkbox"/> Beige = BGE | <input type="checkbox"/> Gray = GRY   | <input type="checkbox"/> Terracotta = TER |
| <input type="checkbox"/> Black = BLK | <input type="checkbox"/> Orange = ORN | <input type="checkbox"/> White = WHT      |
| <input type="checkbox"/> Blue = BLU  | <input type="checkbox"/> Purple = PUR | <input type="checkbox"/> Yellow = YLW     |
| <input type="checkbox"/> Brown = BRN | <input type="checkbox"/> Red = RED    |   |

#### OPTIONS

- Hose Bib (Locking) - LK4471LHB\* (Choose color option to complete your model number)
- Hose Bib (Non-Locking) - LK4470NLHB\* (Choose color option to complete your model number)
- Direct Bury Kit - 97890C

#### Each 4420 FR consists of 2 cartons of the following:

- Fountain
- Dual Freeze-Resistant Valve System - 98837C

# MODEL LK4420BF1UFRK

## Outdoor Tubular Bottle Filling Station

**OPERATING PRESSURES:**

Supply water 20 – 105 psi maximum

### MOUNTING INSTRUCTIONS and PLUMBING INSTRUCTIONS

Site and drainage excavation is required for fountain installation. Refer to owner's manual for site preparation details. Provide solid, well-drained surface to mount pedestal fountain (concrete pad recommended) with adequate support (300 lb. load minimum). (6) 3/8" minimum fasteners (not included) should be attached securely to mounting surface in order to secure fountain, (Refer to rough-in diagram), and be sure to allow an opening for the freeze-resistant valve in the ground as shown in the installation instructions that accompany the fountain. (Refer to the rough-in diagram below). Refer to local codes for any additional requirements.

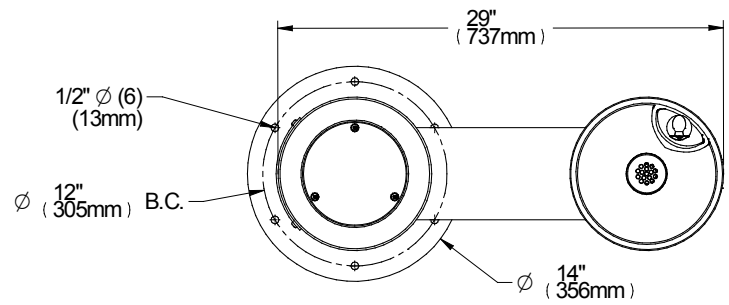
Locate and install plumbing through ground as required. Assemble fountain to prepared site and mounting pad.

**NOTE: Fountain is not furnished with service valve.**

Position pedestal over plumbing and secure base to fasteners. Remove access panels and connect supply and water lines. Turn on water supply and check for leaks. Refer to owner's manual for detailed instructions. Reassemble access panels to pedestal.

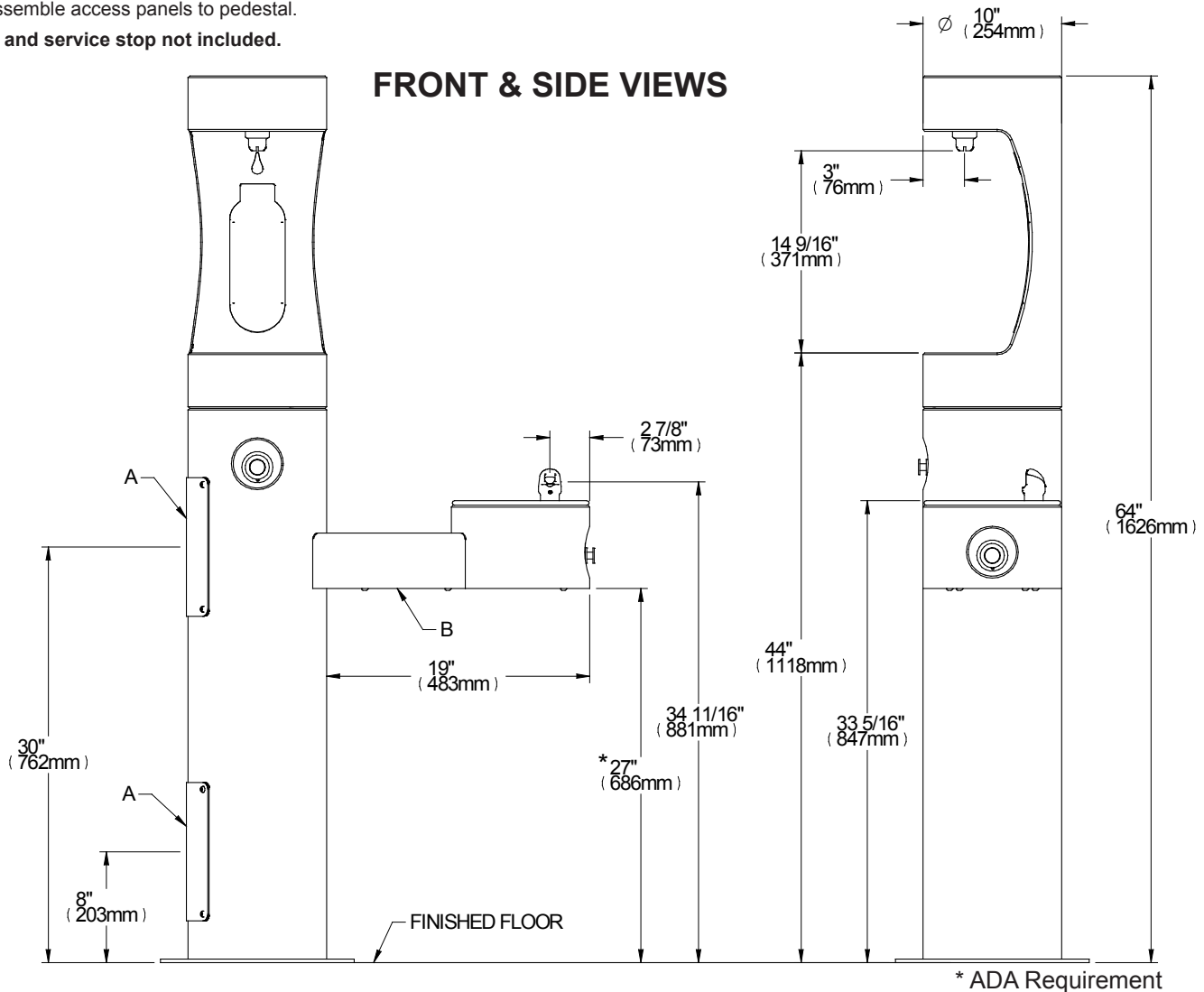
Trap and service stop not included.

### TOP VIEW



**REFER TO PAGE 4 FOR FREEZE RESISTANT VALVE INSTALLATION**

### FRONT & SIDE VIEWS



\* ADA Requirement

A = ACCESS PANEL (8" x 10")  
 B = REMOVABLE BOTTOM COVER

# MODEL LK4420BF1LFRK

## Outdoor Tubular Bottle Filling Station

**OPERATING PRESSURES:**  
Supply water 20 – 105 psi maximum

### MOUNTING INSTRUCTIONS and PLUMBING INSTRUCTIONS

Site and drainage excavation is required for fountain installation. Refer to owner's manual for site preparation details. Provide solid, well-drained surface to mount pedestal fountain (concrete pad recommended) with adequate support (300 lb. load minimum). (6) 3/8" minimum fasteners (not included) should be attached securely to mounting surface in order to secure fountain, (Refer to rough-in diagram), and be sure to allow an opening for the freeze-resistant valve in the ground as shown in the installation instructions that accompany the fountain. (Refer to the rough-in diagram below). Refer to local codes for any additional requirements.

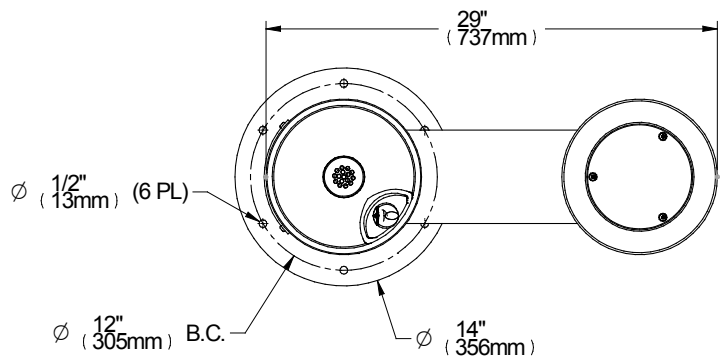
Locate and install plumbing through ground as required. Assemble fountain to prepared site and mounting pad.

**NOTE: Fountain is not furnished with service valve.**

Position pedestal over plumbing and secure base to fasteners. Remove access panels and connect supply and water lines. Turn on water supply and check for leaks. Refer to owner's manual for detailed instructions. Reassemble access panels to pedestal.

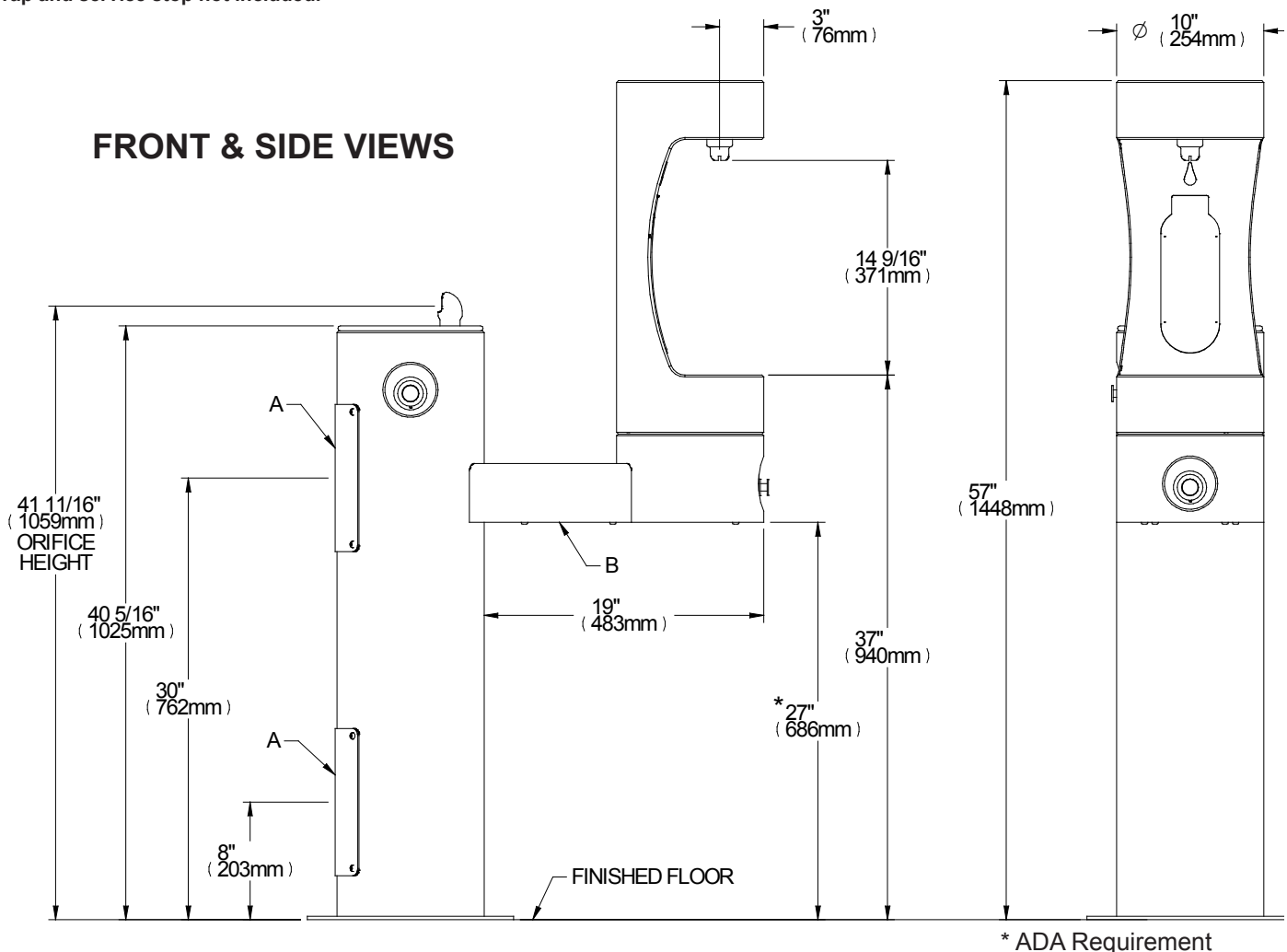
Trap and service stop not included.

### TOP VIEW



**REFER TO PAGE 5 FOR FREEZE RESISTANT VALVE INSTALLATION**

### FRONT & SIDE VIEWS



A = ACCESS PANEL (8" x 10")  
B = REMOVABLE BOTTOM COVER

# MODEL LK4420BF1UFRK

## Outdoor Tubular Bottle Filling Station

**OPERATING PRESSURES:**  
Supply water 20 – 105 psi maximum

### MOUNTING INSTRUCTIONS and PLUMBING INSTRUCTIONS

Site and drainage excavation is required for fountain installation. Refer to owner's manual for site preparation details. Provide solid, well-drained surface to mount pedestal fountain (concrete pad recommended) with adequate support (300 lb. load minimum). (6) 3/8" minimum fasteners (not included) should be attached securely to mounting surface in order to secure fountain, (Refer to rough-in diagram), and be sure to allow an opening for the freeze-resistant valve in the ground as shown in the installation instructions that accompany the fountain. (Refer to the rough-in diagram below). Refer to local codes for any additional requirements.

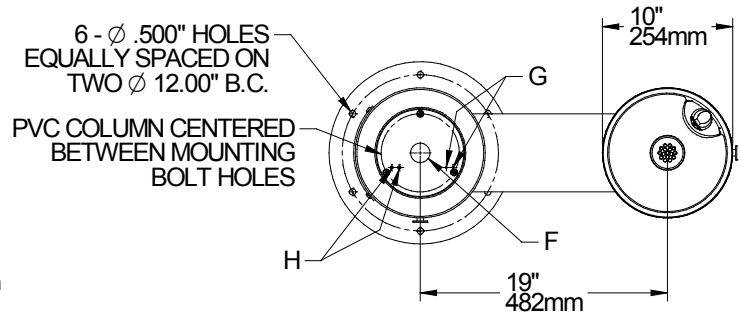
Locate and install plumbing through ground as required. Assemble fountain to prepared site and mounting pad.

**NOTE: Fountain is not furnished with service valve.**

Position pedestal over plumbing and secure base to fasteners. Remove access panels and connect supply and water lines. Turn on water supply and check for leaks. Refer to owner's manual for detailed instructions. Reassemble access panels to pedestal.

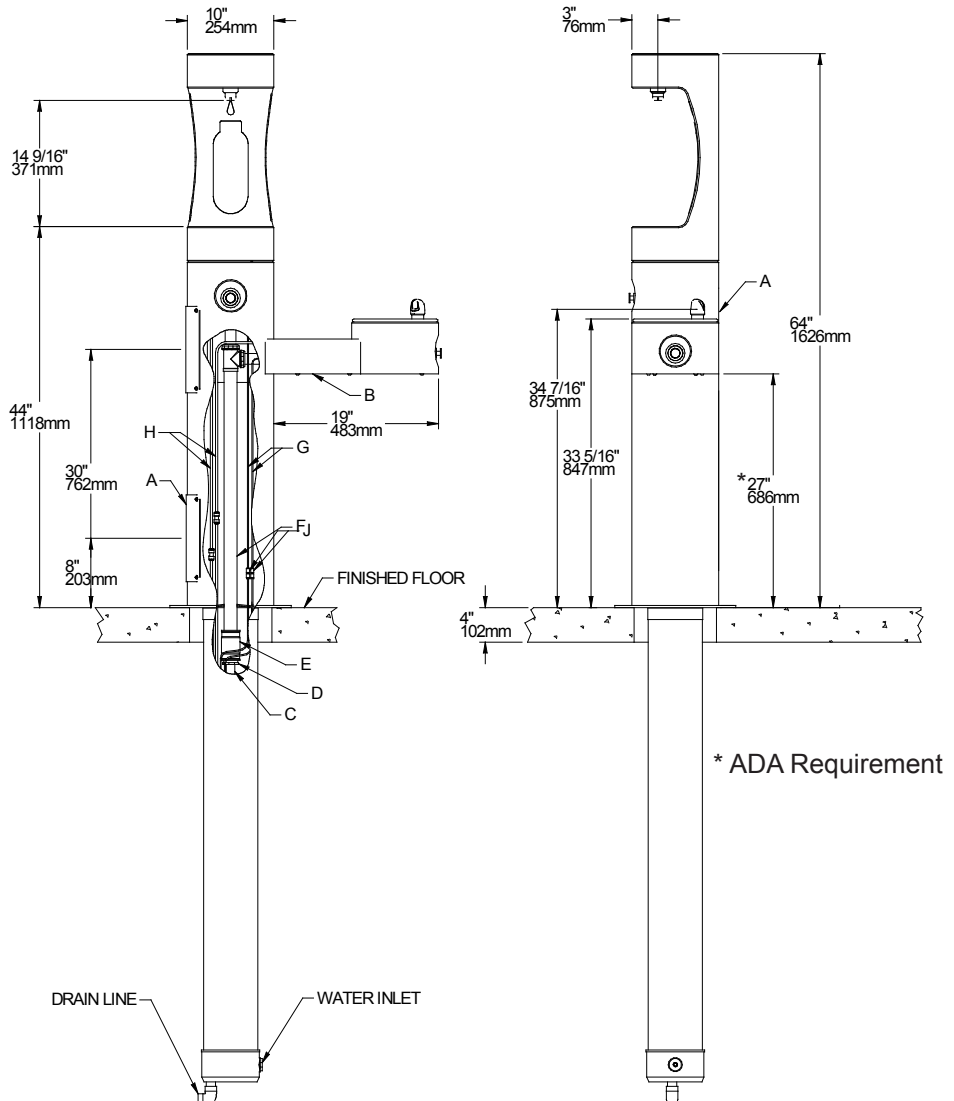
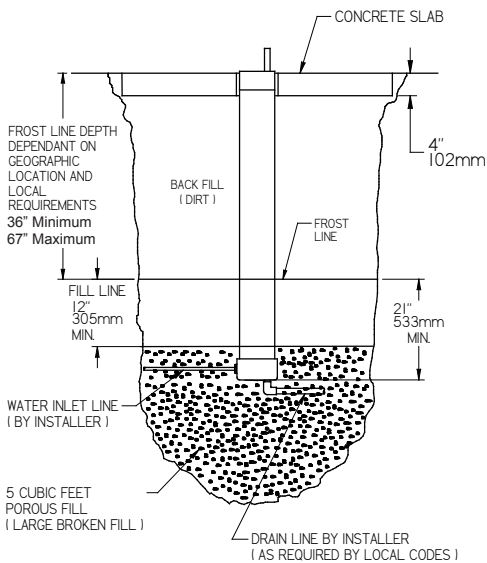
Trap and service stop not included.

### TOP VIEW



### FRONT & SIDE VIEWS

### SITE PREPARATION DETAIL



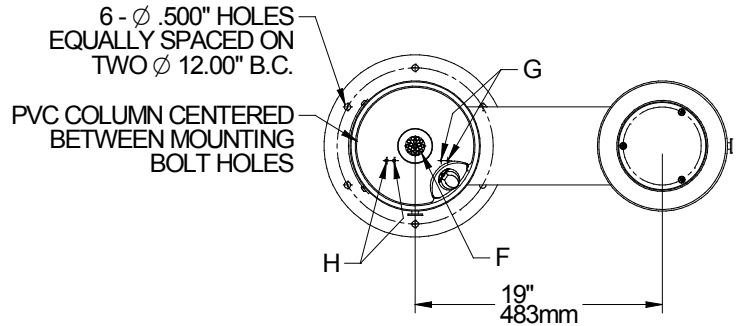
#### LEGEND

- A = ACCESS PANEL (8" X 10")
- B = REMOVABLE BOTTOM COVER
- C = 1" PVC DRAIN
- D = PRESSURE FITTING 1-1/4" x 3/4"
- E = CONNECTOR 1-1/4" to 1-1/4"
- F = 1-1/4" DRAIN TUBE
- G = AIR CONTROL LINE
- H = 1/4" WATER LINE
- J = CONNECTOR FOR AIR CONTROL LINE

# MODEL LK4420BF1LFRK Outdoor Tubular Bottle Filling Station

**OPERATING PRESSURES:**  
Supply water 20 – 105 psi maximum

## TOP VIEW



### MOUNTING INSTRUCTIONS and PLUMBING INSTRUCTIONS

Site and drainage excavation is required for fountain installation. Refer to owner's manual for site preparation details. Provide solid, well-drained surface to mount pedestal fountain (concrete pad recommended) with adequate support (300 lb. load minimum). (6) 3/8" minimum fasteners (not included) should be attached securely to mounting surface in order to secure fountain, (Refer to rough-in diagram), and be sure to allow an opening for the freeze-resistant valve in the ground as shown in the installation instructions that accompany the fountain. (Refer to the rough-in diagram below). Refer to local codes for any additional requirements.

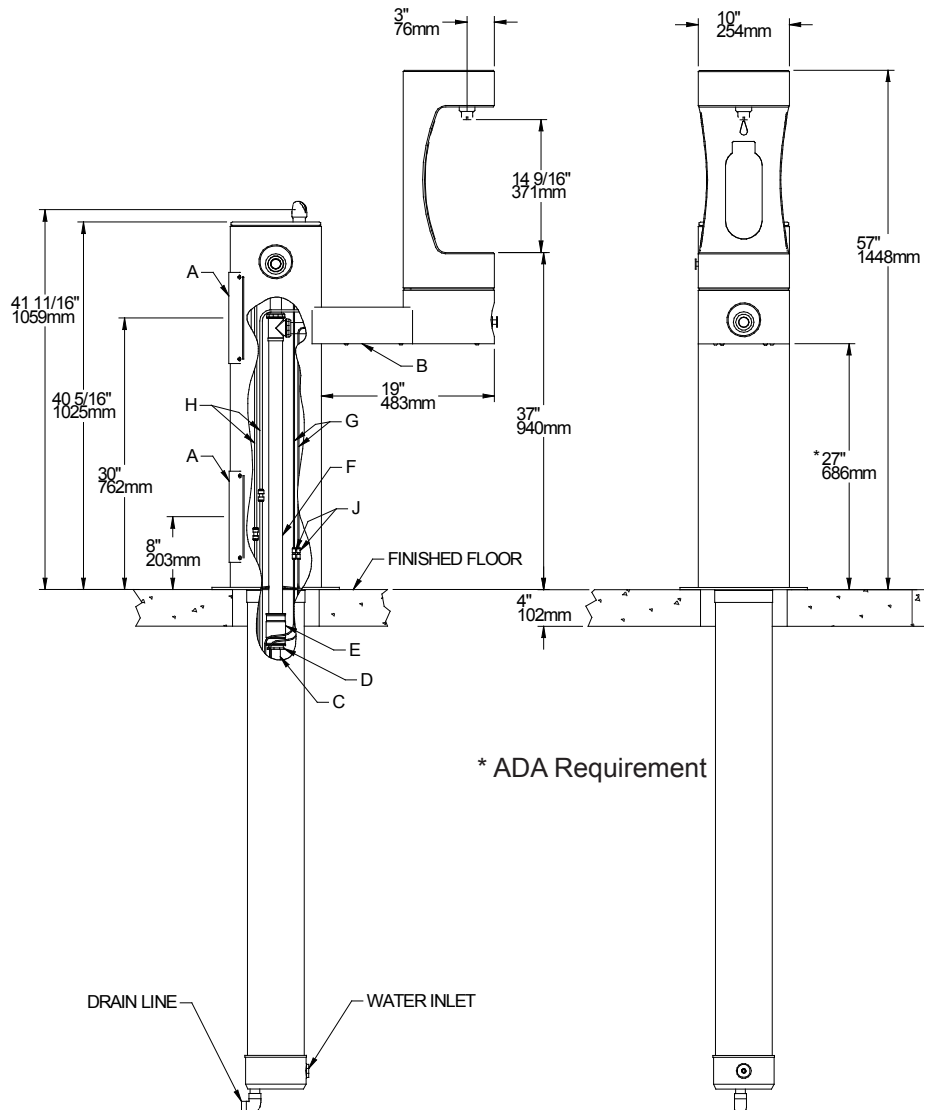
Locate and install plumbing through ground as required. Assemble fountain to prepared site and mounting pad.

**NOTE: Fountain is not furnished with service valve.**

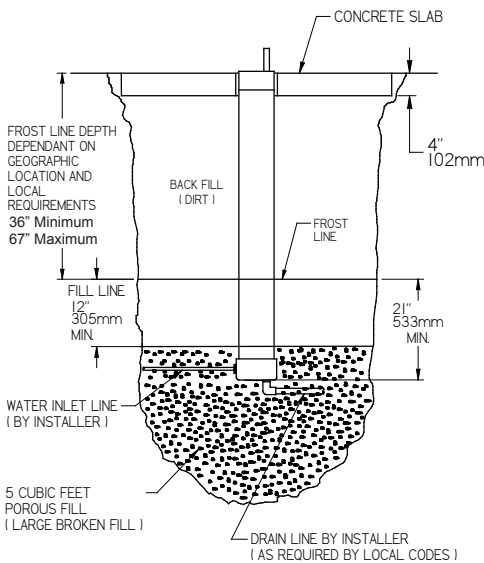
Position pedestal over plumbing and secure base to fasteners. Remove access panels and connect supply and water lines. Turn on water supply and check for leaks. Refer to owner's manual for detailed instructions. Reassemble access panels to pedestal.

Trap and service stop not included.

## FRONT & SIDE VIEWS



## SITE PREPARATION DETAIL



### LEGEND

- A = ACCESS PANEL (8" X 10")
- B = REMOVABLE BOTTOM COVER
- C = 1" PVC DRAIN
- D = PRESSURE FITTING 1-1/4" x 3/4"
- E = CONNECTOR 1-1/4" to 1-1/4"
- F = 1-1/4" DRAIN TUBE
- G = AIR CONTROL LINE
- H = 1/4" WATER LINE
- J = CONNECTOR FOR AIR CONTROL LINE