

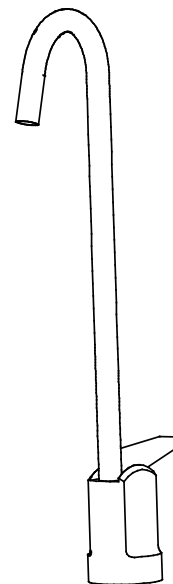
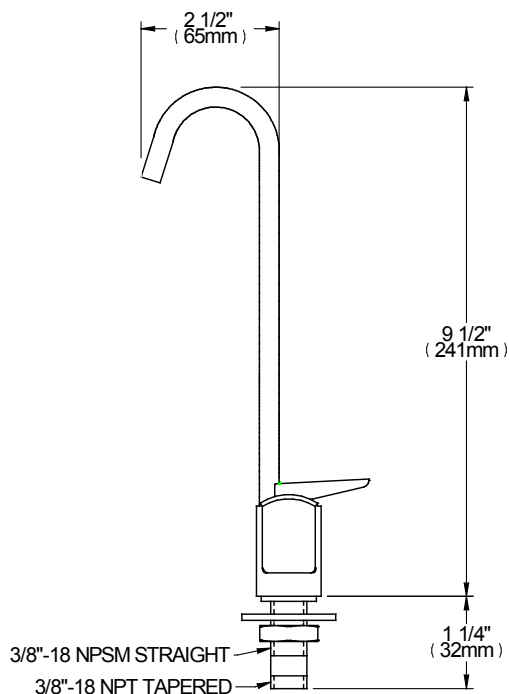
# ELKAY® SPECIFICATIONS

## Push Lever Glass Filler Model LK1110

### GENERAL

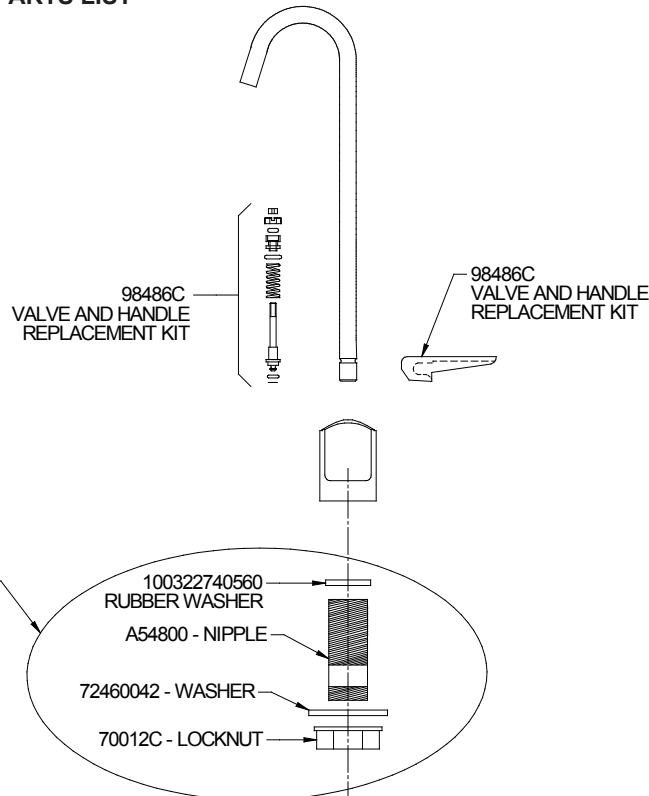
LK1110 stainless steel single water gooseneck glass filler, manufactured with 100% lead-free material, plastic push lever control, 9-1/2" (241mm) high overall, 3/8" NPT connection. Ship Wt. 1 lb.

### DIMENSIONS



Model LK1110

### PARTS LIST



In keeping with our policy of continuing product improvement, Elkay reserves the right to change specification without notice. Please visit [elkay.com](http://elkay.com) for the most current version.