

**No Lead Push Button Bubbler  
Model LK-142**



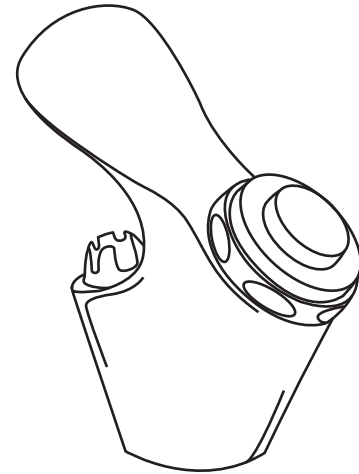
**SPECIFICATIONS**

**GENERAL**

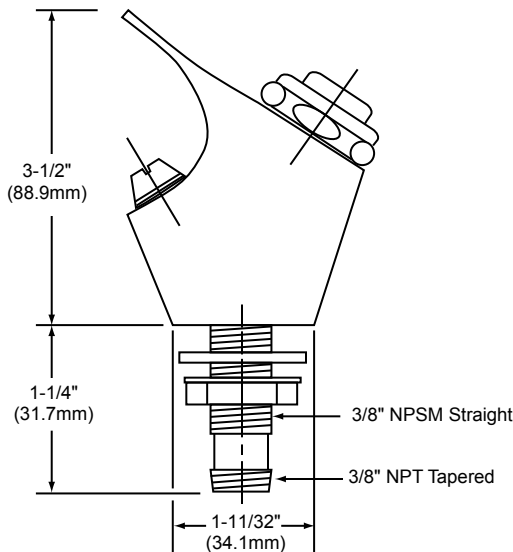
**LK-142** push button bubbler, self closing, with built in adjustable volume control which controls flow from 20 P.S.I. to 105 P.S.I.

**No Lead Push Button Bubbler.** Pushbutton valve bubbler designed so that water never comes in contact with lead-containing materials. Built-in adjustable water volume control. Heavy chrome plate, 3/8 NPT connection. Requires single hole installation. For installations in 1-1/2" or 1-1/4" faucet holes, order Cover Plate, Part No. 72000408 separately. Ship. Wt. 2-1/2 lbs.

 This bubbler is classified by Underwriters Laboratories Inc. in accordance with **ANSI/NSF61, Section 9-1997b.**



Model LK-142 Shown



**ELKAY FAUCET/WATER DISPENSERS LIMITED WARRANTY**

Elkay warrants its faucet and water dispensers to be free of defects in workmanship and material for a period of one year from the date of purchase. Replacement parts are available from Elkay for a nominal charge. Upon return of a defective part to Elkay during the warranty period with written notice of the claimed defect, Elkay will refund the replacement charge.

**WASTE FITTINGS AND ACCESSORIES ARE NOT WARRANTED; OTHER WARRANTY CONDITIONS:**

Our warranty does not cover product failure caused by abusive treatment, misuse, or damage due to handling or faulty installations. This warranty is extended only to the original consumer purchaser of the product. This warranty does not cover shipping costs, labor costs, or any other charges for such items as installation or replacement of the sink, diagnosis or replacement of any faucet or component part, or any other expense or loss.

ALL INCIDENTAL OR CONSEQUENTIAL DAMAGES ARE SPECIFICALLY EXCLUDED. NO ADDITIONAL WARRANTIES, EXPRESS OR IMPLIED, ARE GIVEN. ANY IMPLIED WARRANTY, INCLUDING ONE OF MERCHANTABILITY OR FITNESS FOR A PARTICULAR PURPOSE, IS LIMITED TO THE DURATION OF THIS WRITTEN WARRANTY.

Some states do not allow the exclusion or limitation of incidental or consequential damages or limitations on how long an implied warranty lasts, so the above limitations or exclusions may not apply to you.

This warranty gives you specific legal rights, and you may also have other rights which vary from state to state.

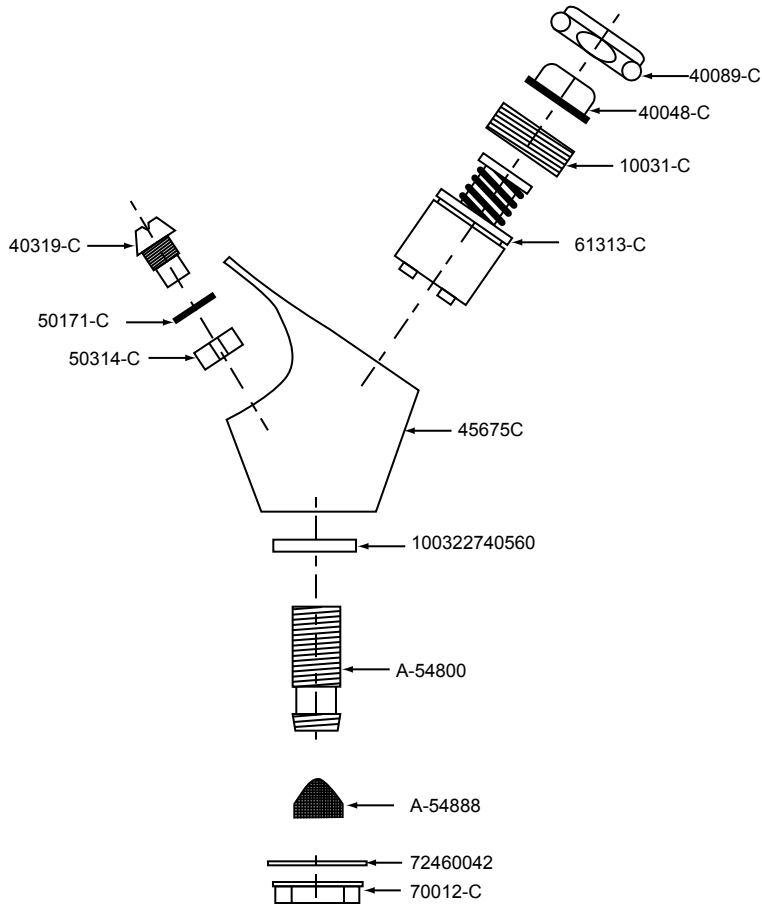
**TO OBTAIN SERVICE UNDER WARRANTY**

1. Write to: Elkay Manufacturing Company  
Attention: Consumer Service  
2222 Camden Court  
Oak Brook, Illinois 60523
2. Include a letter containing the following information:
  - a. Date of purchase and installation
  - b. Description of nature of defect
  - c. Model number or description of model and/or component part if possible.

**No Lead Push Button Bubbler  
Model LK-142**

**ELKAY®**

**PARTS LIST**



**PARTS LIST FOR LK-142 BUBBLER**

10031-C	RETAINING NUT
40048-C	BUTTON
40089-C	RETAINING NUT
40319-C	ORIFICE
100322740560	WASHER
50171-C	"O" RING
50314-C	FLOW STRAIGHTENER
45675C	BODY
A-54800	NIPPLE
A-54888	SCREEN
61313-C	REGULATOR CARTRIDGE
70012-C	LOCKNUT
72460042	WASHER