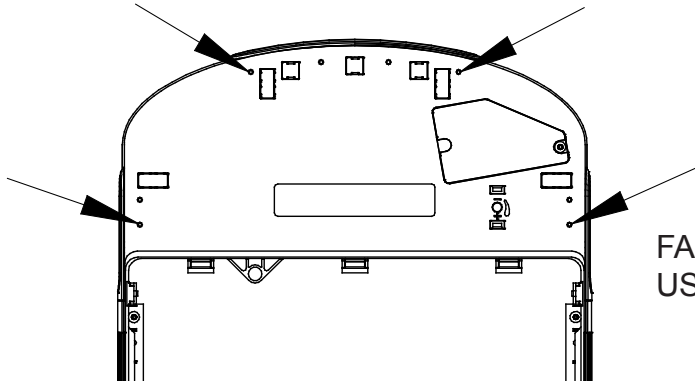


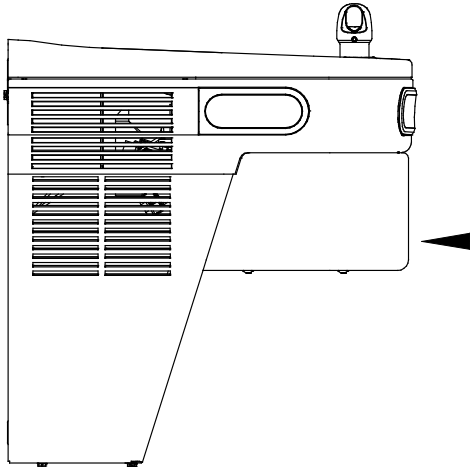
CANE APRON INSTALLATION

For use on EZ/LZ Light Gray and Stainless Steel style models
and HTVZ Platinum Vinyl and Stainless Steel style models



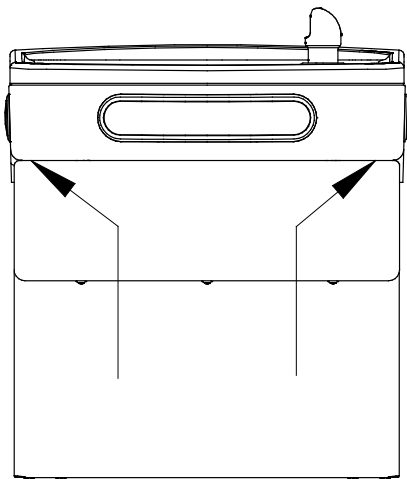
STEP 1

FASTEN (4) SCREWS INTO HOLES AS SHOWN.
USE COVER PLATE TO GAUGE DEPTH.



STEP 2

ALIGN SLOTS ON APRON TO SCREW HEADS.
PUSH APRON ONTO SCREW HEADS. IF
APRON DOES NOT SNAP INTO PLACE
REMOVE BOTTOM COVER, SEE STEP 3.



STEP 3

PUSHING BACK CORNERS OF APRON OUT
TO CLEAR SNAPS IN REAR WILL EASE
INSTALLATION.

STEP 4

ATTACH BOTTOM COVER TO APRON WITH
(6) SCREWS AND CLIPS PROVIDED.

TO REMOVE:
REMOVE BOTTOM COVER, PUSH REAR CORNERS
OUT AND PULL FORWARD.