

**ELKAY®****EZH2O® Bottle Filling Station****SPECIFICATIONS****Filtered Retro-fit Model for EMABF/LMABF Coolers****Model LMABFWS-RF****PRODUCT SPECIFICATION****RATED FOR INDOOR USE ONLY**

Retrofit bottle-filling station for 115V/60Hz EMABF style pushbar-activated models. Bottle filling unit shall include an electronic sensor for touchless activation with auto 20-second shut-off timer. Shall include Green Ticker™ displaying count of plastic bottles saved from waste. Bottle filler shall provide 1.1-1.5 gpm flow rate with laminar flow to minimize splashing. Shall include the WaterSentry® Plus 3000-gallon capacity filter, certified to NSF/ANSI 42 and 53, with visual monitor to indicate when replacement is necessary. Shall include integrated silver ion anti-microbial protection in key areas. Unit shall meet ADA guidelines. Unit shall be lead-free design which is certified to NSF/ANSI 61 and 372 and meets Federal and State low-lead requirements. Unit shall be certified to UL399 and CAN/CSA 22.2 No. 120.

**STANDARD FEATURES**

- Sanitary, touchless activation with auto 20-second shut-off
- WaterSentry® Plus 3000-gallon capacity Filtration System, certified to NSF/ANSI 42 & 53 (Lead, Class 1 Particulate, Chlorine, Taste & odor)
- Integrated Silver Ion Anti-microbial Protection in key areas
- Quick Fill Rate: 1.1 gpm when connected to refrigerated models; 1.5 gpm for non-refrigerated connections
- Laminar Flow provides minimal splash
- Real Drain System eliminates standing water
- Visual User Interface display includes:
  - Innovative Green Ticker™ counts bottles saved from waste
  - LED Visual Filter Monitor shows when replacement is necessary

**CONSTRUCTION**

- Stainless steel bottle filler wrapper with ABS plastic alcove
- Retrofits to most 115V/60Hz EMABF style pushbar-activated models

**Replacement Filters:** Available as Singles and Multi-packs.

Order part numbers:

- 51300C (single)
- 51300C\_3PK (three)
- 51300C\_12PK (twelve)
- 51300C\_24PK (twenty-four)
- 51300C\_48PK (forty-eight)

**CAPACITIES CHART**

Model	Voltage / Hertz	Chilling Capacity	F.L. Amps	Rated Watts	Approx. Ship Weight.
LMABFWS-RF	115V / 60Hz	Based on Existing Cooler Rating	1.0	15	23

The above ratings apply only to the LMABFWS-RF unit. Ratings for cooler not included.



Model  
LMABFWS-RF

**OPTIONAL ACCESSORY:**

- 36292C Receptacle Adaptor Plug (115V with three plug-in receptacles)
- Filter Mounting Covers for existing installations requiring filter mount below cooler
  - 0000000887 (Light Gray Granite)
  - 98669C (Stainless Steel)

**Warranty:** Electrical components and water system are warranted for 12 months from date of installation or 18 months from factory shipment, whichever date falls first.

**CERTIFICATIONS / STANDARDS**

- ADA Compliant
- UL399 and CAN/CSA 22.2 No. 120 Certified
- ANSI/NSF 61 and 372 Certified
- ANSI/NSF 42 and 53 Certified (Filter only)
- GreenSpec® Listed



ETL CLASSIFIED



Intertek



C USA



www.GreenSpec.com

This specification describes an Elkay product with design, quality and functional benefits to the user. When making a comparison of other producer's offerings, be certain these features are not overlooked.

In keeping with our policy of continuing product improvement, Elkay reserves the right to change specification without notice. Please visit [elkaypro.com](http://elkaypro.com) for the most current version.

2222 Camden Court  
OakBrook, IL 60523  
630-572-3192  
[elkay.com](http://elkay.com)

© 2014 Elkay  
SPEC00097 (09/2014)

EZH2O® Bottle Filling Station

**ELKAY®**

Filtered Retro-fit Model for EMABF Coolers

**ROUGH-IN**

Model LMABFWS-RF

Rated for indoor use only

**IMPORTANT!**

EMABFWS-RF Retro-fit is designed to fit on an existing EMABF style cooler which is properly installed per the EMABF Spec Sheet rough-in information.

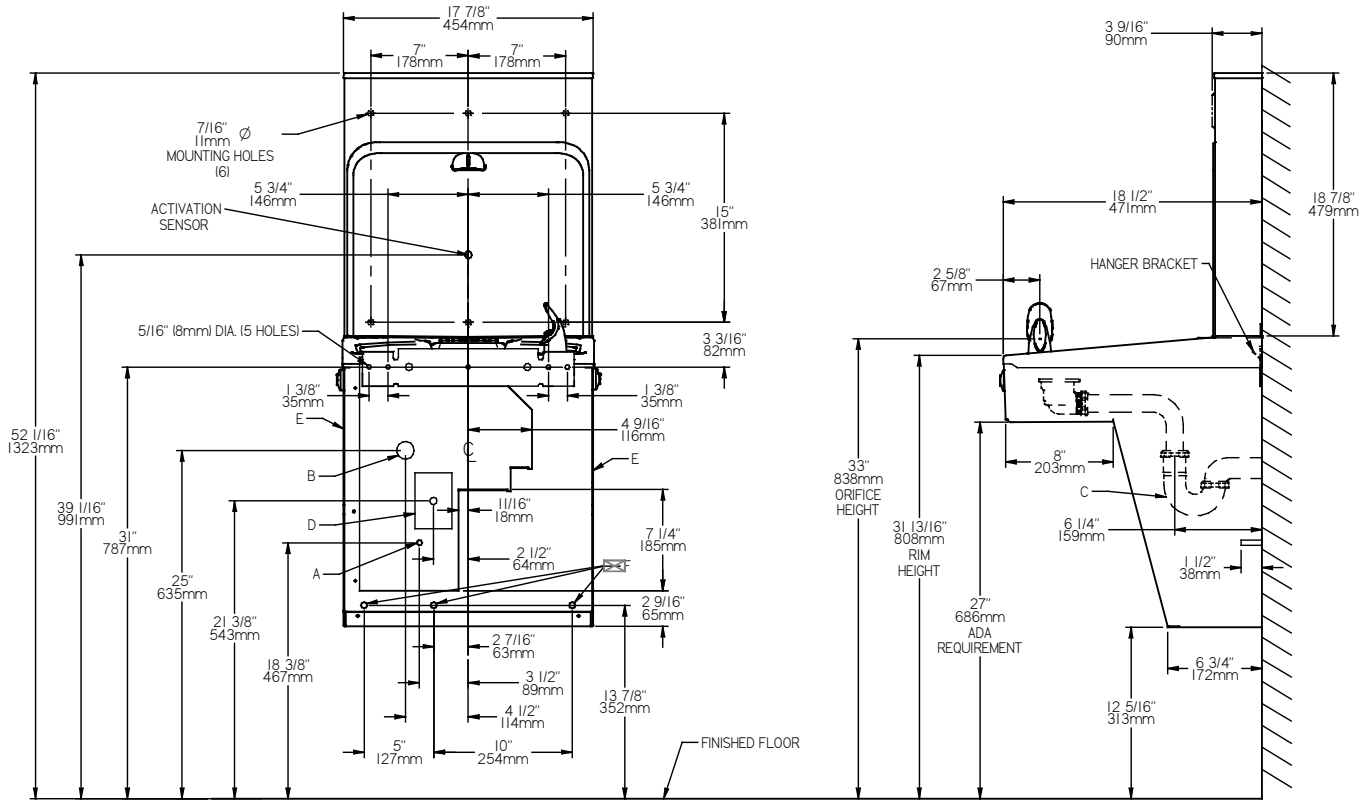
**INSTALLATION NOTES:**

- Unit will mount on bracket attached to wall as indicated by six holes shown.
- Water and electrical will route through hole punched into basin.
- Cooler must be pressurized. Bi-level and glass filler prepped units are already pressurized. Single LMABF style coolers require field update.

**ELECTRICAL**

EZH2O equipped with electrical cord and three-prong molded rubber plug for use with 15-amp minimum receptacle. Rated at 115V/60Hz, single phase.

**SINGLE COOLER RETRO-FIT**



REDUCE HEIGHT BY 3 INCHES FOR INSTALLATION OF CHILDRENS ADA COOLER

**LEGEND:**

- A = Recommended Water Supply location. Shut-off Valve (not furnished) to accept 3/8" O.D. unplated copper tube. Up to 3" (76mm) maximum out from wall.
  - B = Recommended Waste Outlet location. To accommodate 1-1/4" nominal drain. Drain stub 2" (51mm) out from wall.
  - C = 1-1/4" Trap (not furnished).
  - D = Electrical Supply (3) Wire Recessed Box Duplex Outlet.
  - E = Insure proper ventilation by maintaining 6" (152mm) minimum clearance from cabinet louvers to wall.
  - F = 7/16" (11mm) Bolt Holes for fastening to wall.
- \*\*New Installations Must Use Ground Fault Circuit Interrupter (GFCI).

Job Name: \_\_\_\_\_  
 Model: \_\_\_\_\_ Qty. \_\_\_\_\_  
 Contact: \_\_\_\_\_  
 Approval Signature: \_\_\_\_\_  
 Notes: \_\_\_\_\_

**Filtered Retro-fit Model for EMABF Coolers**

**ROUGH-IN**

**Model LMABFWS-RF**

**IMPORTANT!**

EMABFWS-RF Retro-fit is designed to fit on an existing EMABF style cooler which is properly installed per the EMABF Spec Sheet rough-in information.

**INSTALLATION NOTES:**

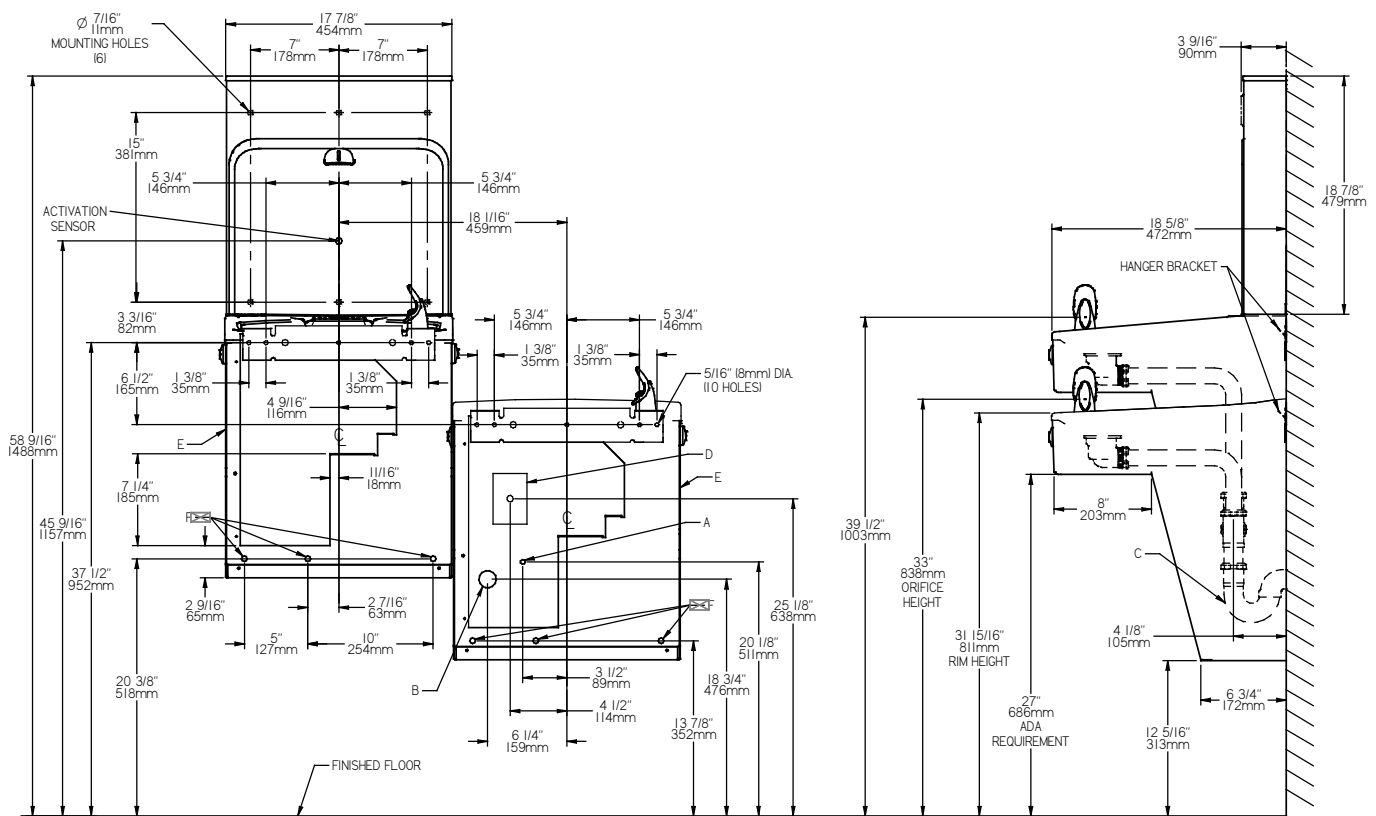
Rated for indoor use only

- Unit will mount on bracket attached to wall as indicated by six holes shown.
- Water and electrical will route through hole punched into basin.
- Cooler must be pressurized. Bi-level and glass filler prepped units are already pressurized. Single LMABF style coolers require field update.

**ELECTRICAL**

EZH2O equipped with electrical cord and three-prong molded rubber plug for use with 15-amp minimum receptacle. Rated at 115V/60Hz, single phase.

**BI-LEVEL COOLER RETRO-FIT**



REDUCE HEIGHT BY 3 INCHES FOR INSTALLATION OF CHILDRENS ADA COOLER

**LEGEND:**

- A = Recommended Water Supply location. Shut-off Valve (not furnished) to accept 3/8" O.D. unplated copper tube. Up to 3" (76mm) maximum out from wall.
  - B = Recommended Waste Outlet location. To accommodate 1-1/2" nominal drain. Drain stub 2" (51mm) out from wall.
  - C = 1-1/2" Trap (not furnished).
  - D = Electrical Supply (3) Wire Recessed Box Duplex Outlet.
  - E = Insure proper ventilation by maintaining 6" (152mm) minimum clearance from cabinet louvers to wall.
  - F = 7/16" (11mm) Bolt Holes for fastening to wall.
- \*\*New Installations Must Use Ground Fault Circuit Interrupter (GFCI).

Job Name: \_\_\_\_\_  
 Model: \_\_\_\_\_ Qty. \_\_\_\_\_  
 Contact: \_\_\_\_\_  
 Approval Signature: \_\_\_\_\_  
 Notes: \_\_\_\_\_