



Halsey Taylor[®]
Satisfying Thirsts Since 1912

Model HTHB-HAC-RF
Filtered HAC Retro Fit
Hydroboost[®] Bottle Filler

MODEL: HTHB-HAC-RF

GENERAL

Bottle filling station designed to retro-fit existing HAC pushbar activated models. Applicable on 115V models only. Rated for indoor use. Supplied with basin to ensure proper fit and allow for easy installation. Ideal for use in sports and fitness centers, educational and healthcare facilities, airports, office buildings and many other commercial buildings.

HYDROBOOST[®] RETRO-FIT BOTTLE FILLING STATION

Sensor-activated enhanced with user interface graphics. Quick fill rate is 1.5 gallons per minute on refrigerated model or 1.1 gallons per minute on non-refrigerated model. Laminar flow provides a clean fill to minimize splashing and easy maintenance. Equipped with an automatic 20-second shut-off timer.

SILVER ION ANTI-MICROBIAL PROTECTION

Key plastic components are integrated with silver ion anti-microbial protection to inhibit growth of mold and mildew.

GREEN COUNTER[™]

Visually displays count of plastic bottles saved from landfills. (Based on 20 oz. bottles for refrigerated models)

LEAD REDUCTION FILTER WITH FILTER LIFE INDICATOR

Equipped with the HWF3000 WaterSentry[®] Plus Filter. Quick-Disconnect, ¼ turn installation and automatic inlet shut-off valve that closes when filter is removed. High-grade filter is made with activated carbon and patented ATS lead-removal media. Certified to NSF/ANSI 42 for Chlorine-Class 1, Particulate-Class 1 and Taste and Odor and NSF/ANSI 53 for Lead Reduction. Filter is rated for a 3,000 gallon capacity.

Green, yellow and red LEDs visually indicate when filter maintenance is required.

Replacement Filters: Available as Singles and Multi-Packs.

Order part numbers:

- 55898C (single)
- 55898C_3PK (three pack)
- 55898C_12PK (twelve pack)
- 55898C_24PK (twenty-four pack)
- 55898C_48PK (forty-eight pack)

CAPACITIES CHART

Model No.	GPH Capacity Cooled to 50°F**				Base Rate Cap.	F.L. Amps	Shipping Weight lb.	Rated Watt Usage
	Ambient Air Temp							
	70°F	80°F	90°F [†]	100°F				
HTHB-HAC-RF	-	-	-	-	-	1.0	32	120

NOTE: Continued product improvement makes specification sheets subject to change without notice.

** With projector service and tap water at 80°F

[†] UL 399 and ASHRAE (previously ARI 1010) compliant

Protected by Halsey Taylor's Limited Warranty.
Warranty details available at halseytaylor.com.

Filtered Bottle Filler Retro-Fit for HAC models

*Rated for Indoor Use Only



HTHB-HAC-RF



SUGGESTED SPECIFICATION

Unit shall include a bottle filling station that retrofits onto a cooler. Model HTHB-HAC-RF shall retro-fit existing 115V pushbar activated HAC models. Shall include basin to ensure proper fit and function. Bottle filler shall include electronic sensor for no-touch activation with automatic 20-second shut-off timer. Shall include a Green Counter[™] displaying the count of plastic bottles saved from the landfill. Shall include the WaterSentry[®] Plus 3000-gallon capacity filter, certified to NSF/ANSI 42 for Chlorine-Class 1, Particulate-Class 1 and Taste and Odor and NSF/ANSI 53 for lead reduction, with LED visual filter monitor to indicate when filter maintenance is required. Shall include anti-microbial protected components to prevent mold and mildew. Shall comply with ADA guidelines for visual and motion disabilities. The manufacturer shall certify the unit to meet the requirements of NSF/ANSI 61 and 372, UL 399 and CAN/CSA 22.2 No. 120.



halseytaylor.com

HALSEY TAYLOR, 2222 Camden Court, OakBrook, IL 60523

Model HTHB-HAC-RF Filtered HAC Retro Fit Hydroboost® Bottle Filler

OPERATING PRESSURES

Supply water - 105 psi maximum
Minimum 40 psi supply line pressure required in special circumstances where both sides of bi-level are in use simultaneously to ensure adequate stream height. Use of water filter in this situation is not recommended.

NOTE: A service stop (not included) must be installed at the water inlet line.

NOTE: P-Trap (not supplied) to be installed per local building code.

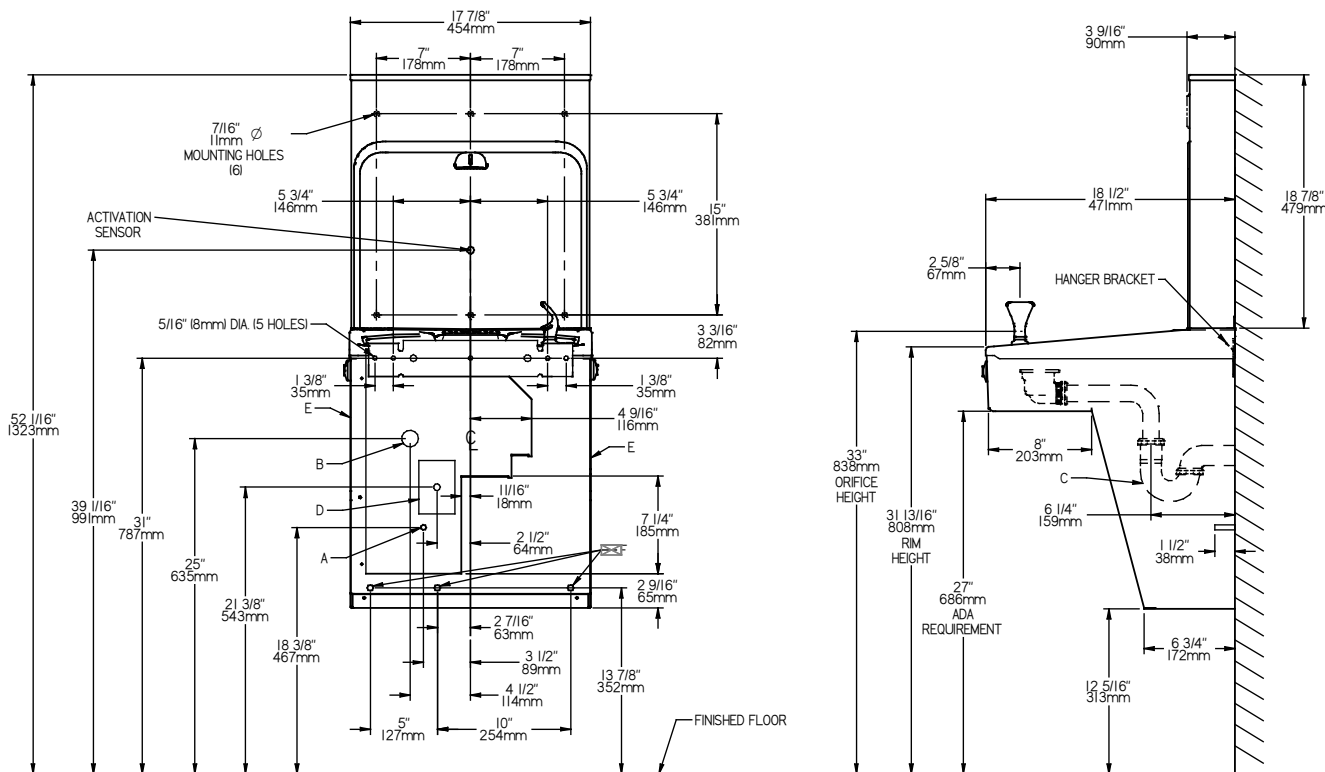
ELECTRICAL

Hydroboost® station equipped with electric cord and three-prong molded rubber plug for use with 15-amp minimum receptacle. Rated at 115 volt, 60 Hz, single phase.

SINGLE COOLER

FRONT VIEW

SIDE VIEW



REDUCE HEIGHT BY 3" FOR INSTALLATION OF CHILDRENS ADA COOLER

LEGEND:

- A = Recommended Water Supply location. Shut-off Valve (not furnished) to accept 3/8" O.D. unplated copper tube. Up to 3" (76mm) maximum out from wall.
 - B = Recommended Waste Outlet location. To accommodate 1-1/4" nominal drain. Drain stub 2" (51mm) out from wall.
 - C = 1-1/4" Trap (not furnished).
 - D = Electrical Supply (3) Wire Recessed Box Duplex Outlet.
 - E = Insure proper ventilation by maintaining 6" (152mm) minimum clearance from cabinet louvers to wall.
 - F = 7/16" (11mm) Bolt Holes for fastening to wall.
- **New Installations Must Use Ground Fault Circuit Interrupter (GFCI).

Job Name: _____

Model: _____ Qty. _____

Contact: _____

Approval Signature: _____

Notes: _____

Halsey Taylor®

Model HTHB-HAC-RF Filtered HAC Retro Fit Hydroboost® Bottle Filler

OPERATING PRESSURES

Supply water - 105 psi maximum
Minimum 40 psi supply line pressure required in special circumstances where both sides of bi-level are in use simultaneously to ensure adequate stream height. Use of water filter in this situation is not recommended.

NOTE: A service stop (not included) must be installed at the water inlet line.

NOTE: P-Trap (not supplied) to be installed per local building code.

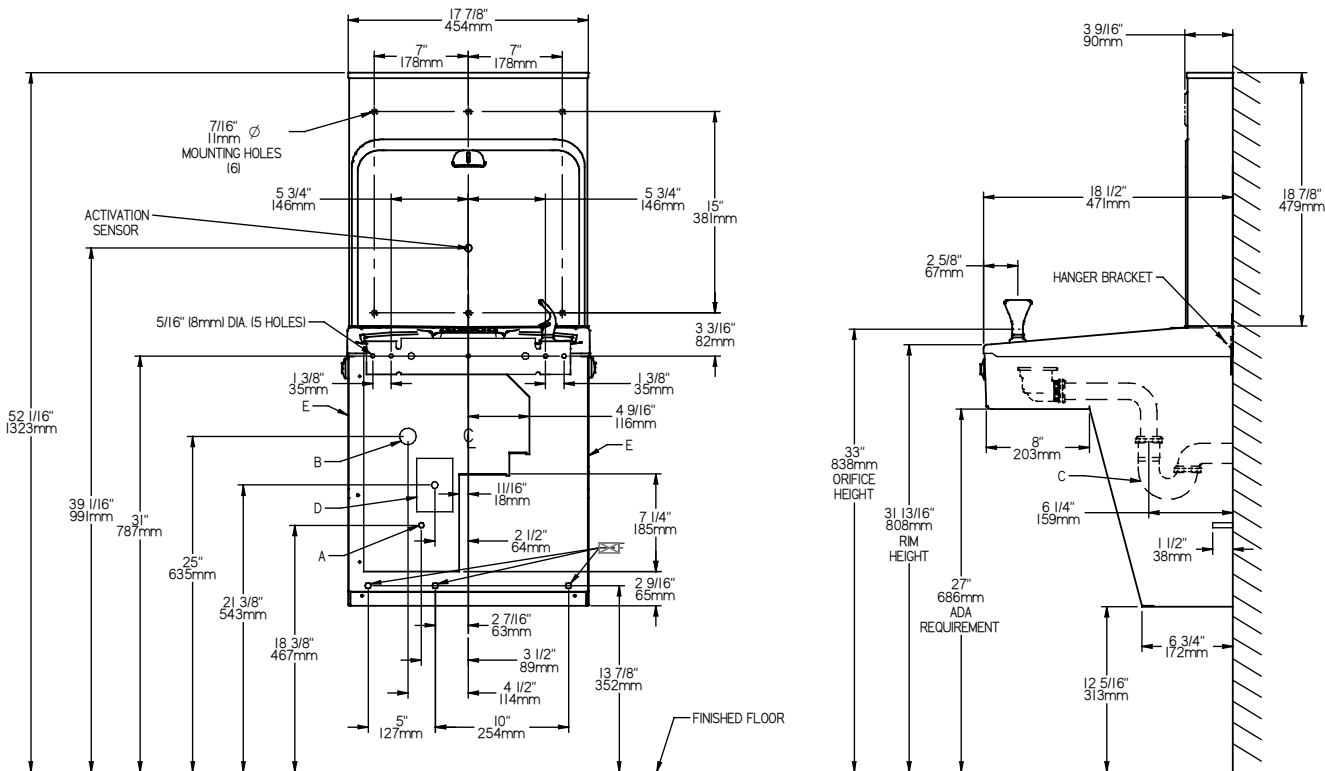
ELECTRICAL

Hydroboost® station equipped with electric cord and three-prong molded rubber plug for use with 15-amp minimum receptacle. Rated at 115 volt, 60 Hz, single phase.

BI-LEVEL COOLER

FRONT VIEW

SIDE VIEW



REDUCE HEIGHT BY 3" FOR INSTALLATION OF CHILDRENS ADA COOLER

LEGEND:

- A = Recommended Water Supply location. Shut-off Valve (not furnished) to accept 3/8" O.D. unplated copper tube. Up to 3" (76mm) maximum out from wall.
 - B = Recommended Waste Outlet location. To accommodate 1-1/2" nominal drain. Drain stub 2" (51mm) out from wall.
 - C = 1-1/2" Trap (not furnished).
 - D = Electrical Supply (3) Wire Recessed Box Duplex Outlet.
 - E = Insure proper ventilation by maintaining 6" (152mm) minimum clearance from cabinet louvers to wall.
 - F = 7/16" (11mm) Bolt Holes for fastening to wall.
- **New Installations Must Use Ground Fault Circuit Interrupter (GFCI).

Job Name: _____

Model: _____ Qty. _____

Contact: _____

Approval Signature: _____

Notes:

Halsey Taylor®