



**Halsey Taylor**  
Satisfying Thirsts Since 1912

# Filtered HYDROBOOST™

MODELS:  HTHBSM-WF

\* Rated for Indoor Use Only



These water coolers are certified to NSF/ANSI 61.

**GENERAL**

Botte Filling Station designed for mounting directly onto a wall surface for applications with limited wall depth. When properly installed, unit meets the reach range guidelines as defined by the American with Disabilities Act (ADA). If desired, unit can be paired with a remote chiller to provide a chilled drink of water.

**BOTTLE FILLING**

Quick fill rate is 1.5 gallons per minute and 1.1 gallons per minute when paired with remote chiller. Laminar flow provides a clean fill with minimal splash and easy maintenance.

**SENSOR ACTIVATED**

User interface design makes touchless operation intuitive. Equipped with automatic 20-second shut-off timer.

**SILVER ION ANTI-MICROBIAL PROTECTION**

Key plastic components are integrated with silver ion anti-microbial protection to inhibit growth of mold and mildew.

**LEAD REDUCTION FILTER WITH FILTER LIFE INDICATOR**

Equipped with the HWF3000 WaterSentry® Plus Filter which is designed to reduce lead particles and chlorine. Also reduces odors and discoloration from incoming water. Features include Quick-Disconnect, 1/4 turn installation. Automatic inlet shut-off valve that closes when filter is removed. High-grade filter is made with activated carbon and patented ATS lead-removal media.

Green, yellow, and red LEDs visually indicate when filter maintenance is required. For service replacement, order as:

- 55898C - Filter single
- 55898C\_3PK - Filter three pack
- 55898C\_12PK - Filter twelve pack
- 55898C\_24PK - Filter twenty-four pack
- 55898C\_48PK - Filter forty-eight pack

**GREEN COUNTER™**

Visually displays count of 20 oz. plastic bottles saved from landfills.

**MOUNTING**

Includes a sturdy hanger bracket to provide proper support of the unit on the wall surface.

**SUGGESTED SPECIFICATIONS**

Bottle Filling unit shall be designed to mount directly on the wall surface. Constructed of 18 gauge Type 300 series stainless steel and ABS plastic. Shall include electronic sensor for no-touch activation with automatic 20-second shut off timer. Shall provide 1.1-1.5 gpm flow rate with laminar flow to minimize splashing. Shall include antimicrobial protect plastic components to prevent mold and mildew. Shall include the WaterSentry® Plus filter, certified to NSF/ANSI 42 and 53 for lead reduction, with visual monitor to indicate when replacement is necessary. Shall meet ADA guidelines for reach ranges, when properly installed. Shall be lead-free design which meets Safe Drinking Water Act and is certified to NSF/ANSI 61 and California AB1953. Shall be certified to UL399 and CAN/CSA 22.2 No. 120.



HTHBSM-WF

Ships in a single carton

NOTE: Continued product improvement makes specifications subject to change without notice. See Halsey Taylor website for most current spec sheet.

JOB NAME: \_\_\_\_\_  
 \_\_\_\_\_  
 \_\_\_\_\_

ENGINEER/CONTRACTOR NAME:  
 \_\_\_\_\_

APPROVAL: \_\_\_\_\_

DATE: \_\_\_\_\_



THIRD-PARTY CERTIFIED TO:  
 \* UL399 & CAN/CSA 22.2 NO. 120  
 \* NSF/ANSI 61-ANNEX G, AB 1953

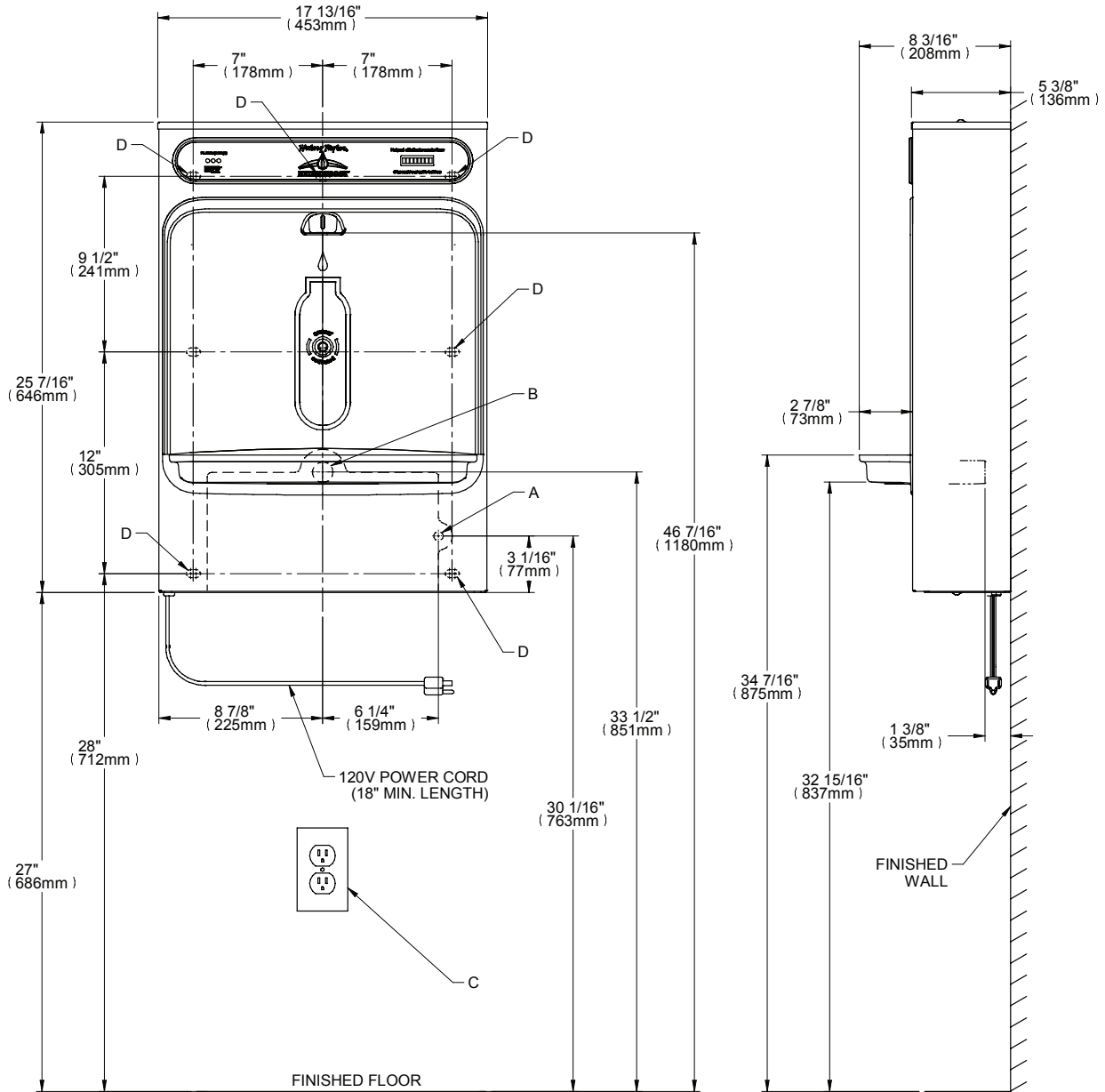
**MODEL HTHBSM-WF**

**Filtered  
HYDROBOOST™  
Surface Mount  
Bottle Filling Station**

\* Rated for Indoor Use Only

**OPERATING PRESSURES:**  
Supply water - 20 to 105 psi maximum

**ELECTRICAL:**  
Hydroboost station equipped with electric cord and three-prong molded rubber plug for use with 15-amp minimum receptacle. Rated at 115 volt, 60Hz, single phase.



**FIG. 1**

**LEGEND:**

- A = RECOMMENDED WATER SUPPLY LOCATION ; 1/2" IPS MAXIMUM PIPE SIZE. SERVICE STOP VALVE NOT FURNISHED.
- B = RECOMMENDED LOCATION FOR WASTE OUTLET 1-1/4" O.D. MAXIMUM PIPE SIZE.
- C = ELECTRICAL OUTLET, THREE (3) CONDUCTOR GROUNDED. LOCATE WITHIN SAFE REACH OF POWER CORD.
- D = 7/16" X 3/4" OBOUNDRD MOUNTING HOLES FOR FASTENING BACKPLATE TO WALL.